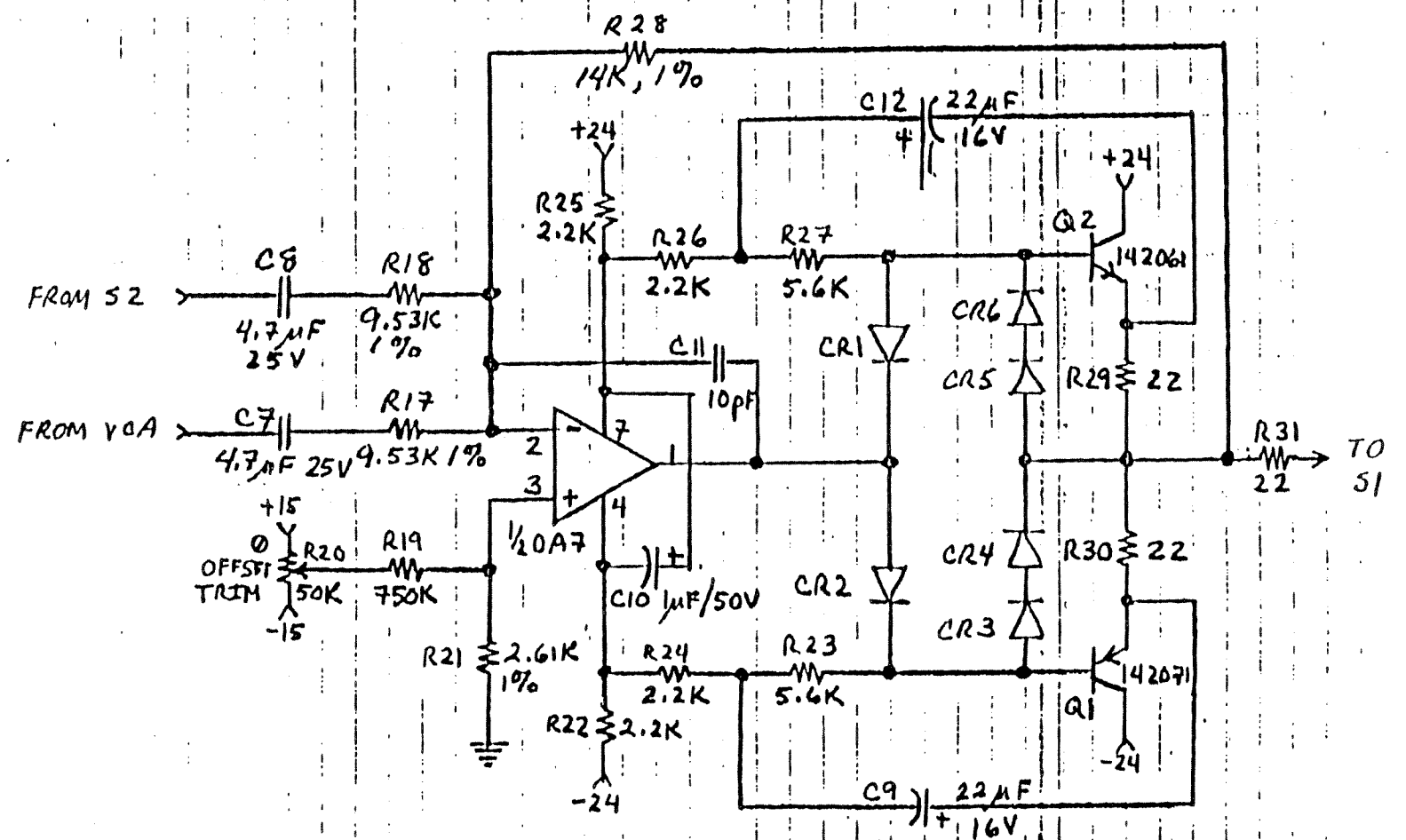


dbx Model 902: OUTPUT AMPLIFIER SECTION



- Notes: ① OA7 1/2 LF353.
 ② Q1 & Q2 mounted on heatsinks.
 ③ Diodes all dbx 140031.

CHK 7/18/80